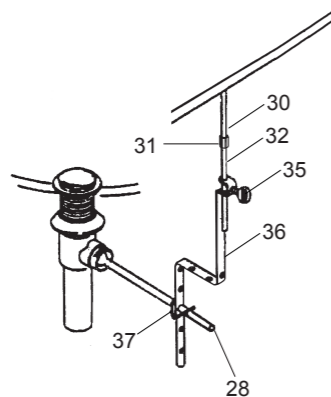


方式二：选用联动组件(35, 36 & 37)

根据实际情况，折弯联杆(36)并决定是否用连接螺母(31)将提拉杆(32)连接到提拉杆组件(30)上。用V形夹(37)将联杆连接到球杆组件上，将提拉杆(30)插入到联杆的孔中，调整提拉杆位置，使提拉杆头底部正好顶在水龙头本体上。将球杆(28)下推到排水器全开的位置。拧紧手捻螺丝(35)。



把尾管接上存水弯，尾管须插入存水弯25mm到50mm。

Way 2: Select the link kit(35, 36 & 37).

According to the actual situation, bend the link(36) and decide whether connect the lift rod(32) and the lift rod assembly(30) by the nut(31) or not. Connect the link and the ball lever rod with 'V' clip(37). Insert the lift rod(30) into the hole of the link. Position the lift rod so the bottom of the lift rod knob rests against the faucet body. Push the ball lever rod(28) down to the open position. Tighten thumb screw(35).

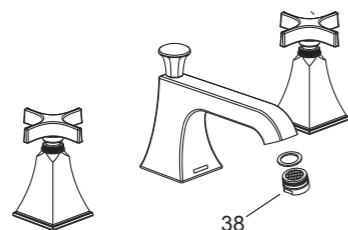
Connect the tailpiece to the trap. The tailpiece should extend 25mm to 50mm into the trap.

安装结果检查

检查并确保所有衔接处都已拧紧，确保把手在关的位置。

打开主要供水源和排水系统，检查并修理有漏水的接口。

将起泡器(38)取下。打开水龙头的冷热水，让水流出一分钟以清除杂质。冲洗起泡器，关闭阀，重新装回起泡器。



INSTALLATION CHECKOUT

Ensure that all coupling nuts are tight. Ensure that the handles are in the off position.

Turn on the main water supply and drain, and check for leaks. Repair as needed.

Remove the aerator(38). Turn the faucet handle on. Run hot and cold water through spout for about one minute to remove any debris. Remove any debris from the aerator assembly. Shut off the faucet. Reinstall aerator assembly.

清洗说明

适用于所有加工处理过的表面：以中性肥皂水清洗镀层表面，再以干净的软布彻底擦干整个表面，许多清洁剂，比如氨水、去污粉及洁厕灵等，会对电镀表面造成伤害，切忌使用。

有磨损性的清洁用具或清洁剂也不可用于科勒牌的水龙头及其配件上。

CLEANING INSTRUCTIONS

All Finishes: Clean the finish with mild soap and warm water. Wipe entire surface completely dry with clean soft cloth. Many cleaners may contain chemicals, such as ammonia, chlorine, toilet cleaner etc. which could adversely affect the finish and are not recommended for cleaning.

Do not use abrasive cleaners or solvents on Kohler faucets and fittings.

KOHLER®

INSTALLATION INSTRUCTIONS

安装说明书

梅玛 MEMOIRS

Widespread Lavatory Faucet

454T 8"脸盆龙头

安装之前

所有的资料是按最新出版的产品资料编写而成。科勒公司保留任何时候不经通知即可改变产品特性、包装或产品可供类型的权利。

说明书包括重要的安装、保养及清洁方面的内容，请把这些资料交给用户阅读。

注意事项：

1. 一定要先彻底冲洗供水管以清除管道中的杂质。
2. 检查供水管有无损坏。如需要，进行替换。
3. 遵守当地管路安装条例。
4. 尽可能在安装脸盆之前安装水龙头。

BEFORE YOU BEGIN

All information is based on the latest product information available at the time of publication. Kohler Co. reserves the right to make changes in product characteristics, packaging, or availability at any time without notice.

Please leave these instructions for the consumer. They contain important information.

NOTES:

1. Flush the water supply pipes thoroughly to remove debris.
2. Inspect the supply tubing for damage. Replace as necessary.
3. Observe local plumbing codes.
4. If possible, install this faucet before installing the lavatory.

使用说明

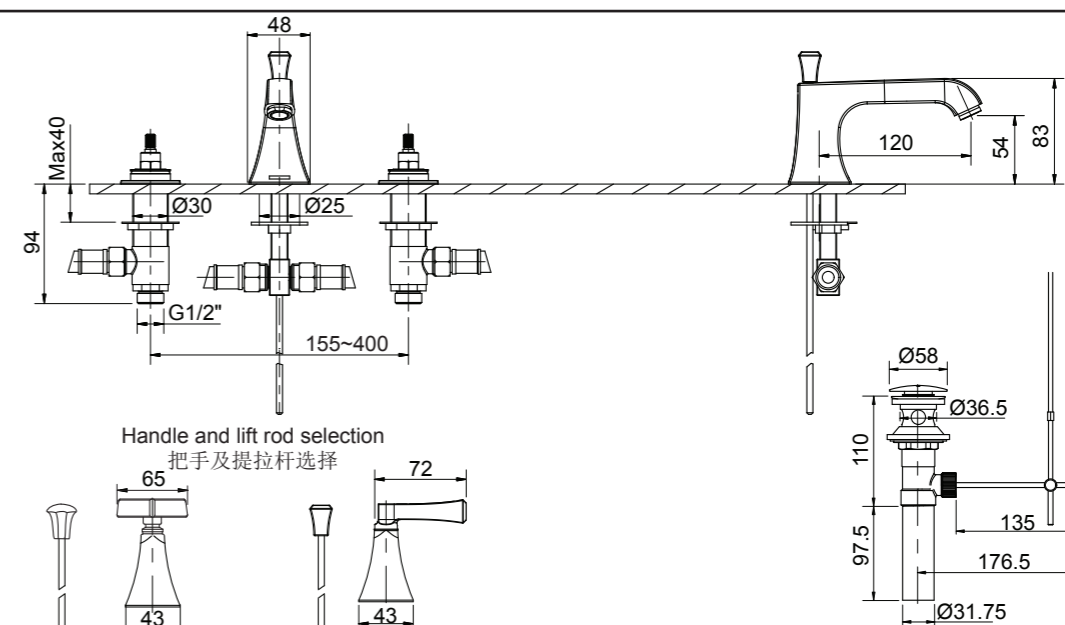
逆时针旋转左把手为开，顺时针旋转右把手为开(一字把手)。顺时针旋转左把手为开，逆时针旋转右把手为开(十字把手)。

HANDLE OPERATION

Left handle opens with one-quarter turn counter-clockwise. Right handle opens with one-quarter turn clockwise(Lever handle). Left handle opens with one-quarter turn clockwise. Right handle opens with one-quarter turn counter-clockwise(Cross handle).

安装尺寸

ROUGH-IN DIMENSIONS



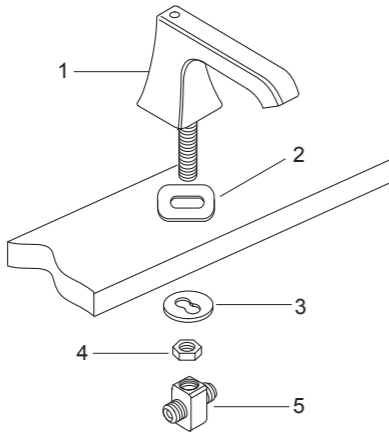
安装步骤

如何安装出水口

从出水口组件(1)上依次取下T型接头(5)、螺母(4)和垫片(3)。将不干胶垫片(2)留在牙管上。

将不干胶垫片(2)贴在出水口底部,将出水口装于脸盆中孔。安装垫片(3)和螺母(4)。调整出水口位置用扳手拧紧螺母(4)。

将T型接头旋到出水口牙管上,拧紧。



INSTALLATION

How To Install The Spout

Remove and retain the parts from the spout kit(1) according to the following order: center tee(5), nut(4) and washer(3). Keep the sticker washer(2) with the spout kit.

Stick the sticker washer(2) to the bottom of the spout. Then fit the spout to the center hole of lavatory. Install the washer(3) and nut(4). Adjust the position of the spout, securely tighten the nut(4).

Thread supply tee to the spout shank until hand tighten.

如何安装阀体、把手和软管

用六角扳手将把手组件上的螺钉(6)旋松。取下把手组件(7)、装饰盖(9)和橡胶垫片(10)。请注意不要把销子(8)丢掉。

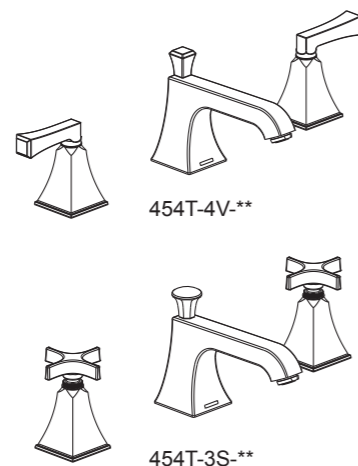
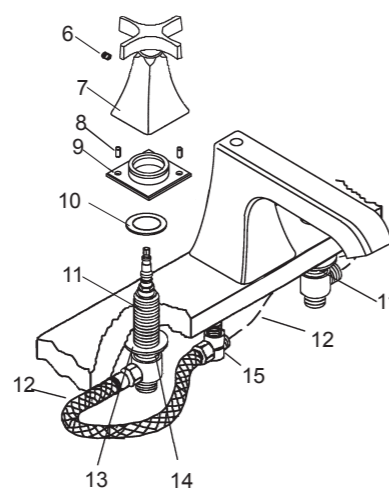
将阀体组件(11)从脸盆的底部穿过安装孔。

将橡胶垫片(10)放在装饰盖(9)下面,将装饰盖(9)旋到阀体组件(11)上,将把手组件(7)装到阀体组件上(注:带红色垫片的把手组件装在左侧)。用六角扳手将螺钉(6)拧紧以固定把手。将垫片(13)和螺母(14)贴紧脸盆并用扳手将螺母(14)锁紧。

将阀体组件(14)与T形接头(15)用软管(12)连接。

把手安装完毕处于关闭状态的位置如图所示:

注意: 将阀体定位,使面向龙头时,贴有蓝色标记的阀体位于右面。为了安装方便,可以适当旋松T形接头,但不要超过180度。安装必须保证软管水流顺畅。软管(12)只能用在此处。



How To Install The Bodies, The Handles And Hoses

Loosen the screw(6) in the handle kit with hex wrench. Take off the handle kit(7), the escutcheon(9) and the rubber washer(10). Don't lose the pins(8).

Insert the side bodies(11) through mounting holes from bottom of the lavatory.

Thread escutcheon(9) with rubber washer(10) under it to each side body(11), and install handle kit(7) to each side body (NOTE: The handle kit with red washer should be installed on the left side). Tighten the screw(6) with hex wrench. Install the washer(13) and the nut(14). Wrench tighten the nut(14).

Connect the side bodies(11) and center tee(15) with hoses(12) as shown in the figure.

The configuration shown is the correct position of the handles in the closed position.

NOTE: Install valve body with blue mark on the right when facing the front of the faucet. For easy installation, loosen the supply tee properly by unscrewing it, but not more than 180 degrees. Ensure that the water inside the hoses flow smoothly. The hoses(12) should be only used here.

如何安装排水器

将止水塞(22)、法兰盘(17)及垫片(18)从排水本体(25)取下,在法兰盘底面套上垫片。尾管(21)从排水本体上取下。在尾管螺纹处须缠绕足以密封的密封胶或涂合适的密封胶,装回排水本体。把带垫圈(19)、钢垫(23)及锁紧螺母(24)的排水本体由脸盆孔下部插入,排水杆洞口(20)朝后方。

注意: 如果需要,可直接在法兰盘底面沿周围涂上一圈密封油灰,而不使用垫片(18)。

把法兰盘旋入排水本体中。从下方用手拧紧锁紧螺母。把止水塞放入排水本体中,调整以使止水塞末端的孔(16)靠近并对正排水杆洞口。

将连接头(29)及固定螺母(27)取下,把塑料垫片(26)及固定螺母装在球杆(28)上,将球杆组件插入排水杆洞口(20)并穿过止水塞孔,拧紧固定螺母。

确保球杆指向脸盆后方,并拧紧排水本体上的锁紧螺母。

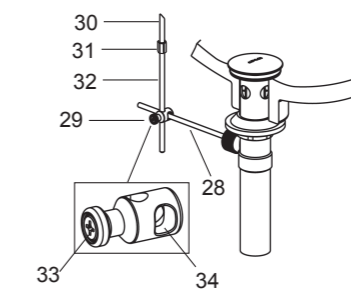
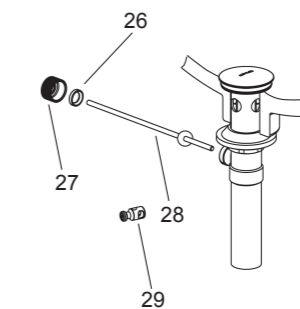
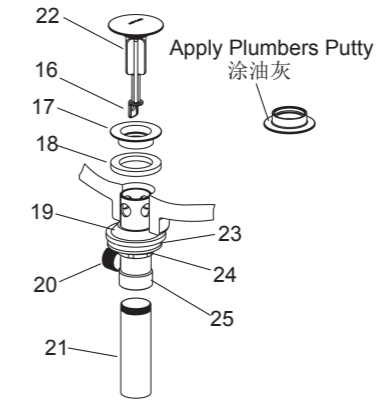
注意: 在锁紧螺母转紧后,不可调整排水本体的位置,否则会破坏油灰密封。去除多余的油灰。

如何安装提拉杆组件

将提拉杆组件(30)插入出水口顶孔。根据所选脸盆尺寸,选择排水器与水龙头提拉杆的连接方式。

方式一: 选用连接头(29)

把提拉杆组件(30)与拉杆(32)用连接螺母(31)锁紧。连接头(29)大孔(34)套到球杆(28)上,将提拉杆下部插入连接头小孔中。调整提拉杆的位置,使提拉杆头底部正好顶在水龙头本体上。将球杆下推到排水器全开位置。锁紧连接头上的螺钉(33)。



How To Install The Drain

Uninstall the stopper(22), drain flange(17) and washer(18) from drain body(25). Slide washer onto the underside of the drain flange. Uninstall the tailpiece(21) from the drain body. Supply enough tape or sealant to tailpiece thread. Reinstall the tailpiece. With gasket(19), steel washer(23) and locknut(24) on the drain body, insert it into the lavatory from underside with the drain lever hole(20) facing the rear.

NOTE: If necessary, apply a ring of plumbers putty around the underside of the drain flange, instead of using washer(18).

Thread the drain flange onto the drain body. Hand tighten the locknut from the underside of the lavatory. Place stopper into drain body, aligning the flat side of stopper hole(16) with the drain lever hole.

Loosen the screw on the latch(29), Take off the latch. Remove the retaining nut(27). Fit the plastic washer(26) and retaining nut onto the ball lever rod(28). Insert the ball lever assembly into the drain lever hole(20) and through the stopper hole. Tighten the retaining nut.

Be sure that the ball lever rod points to the back of the lavatory, tighten the locknut.

NOTE: Do not reposition the drain after the locknut is tightened, or you may break the putty seal. Remove any excess putty.

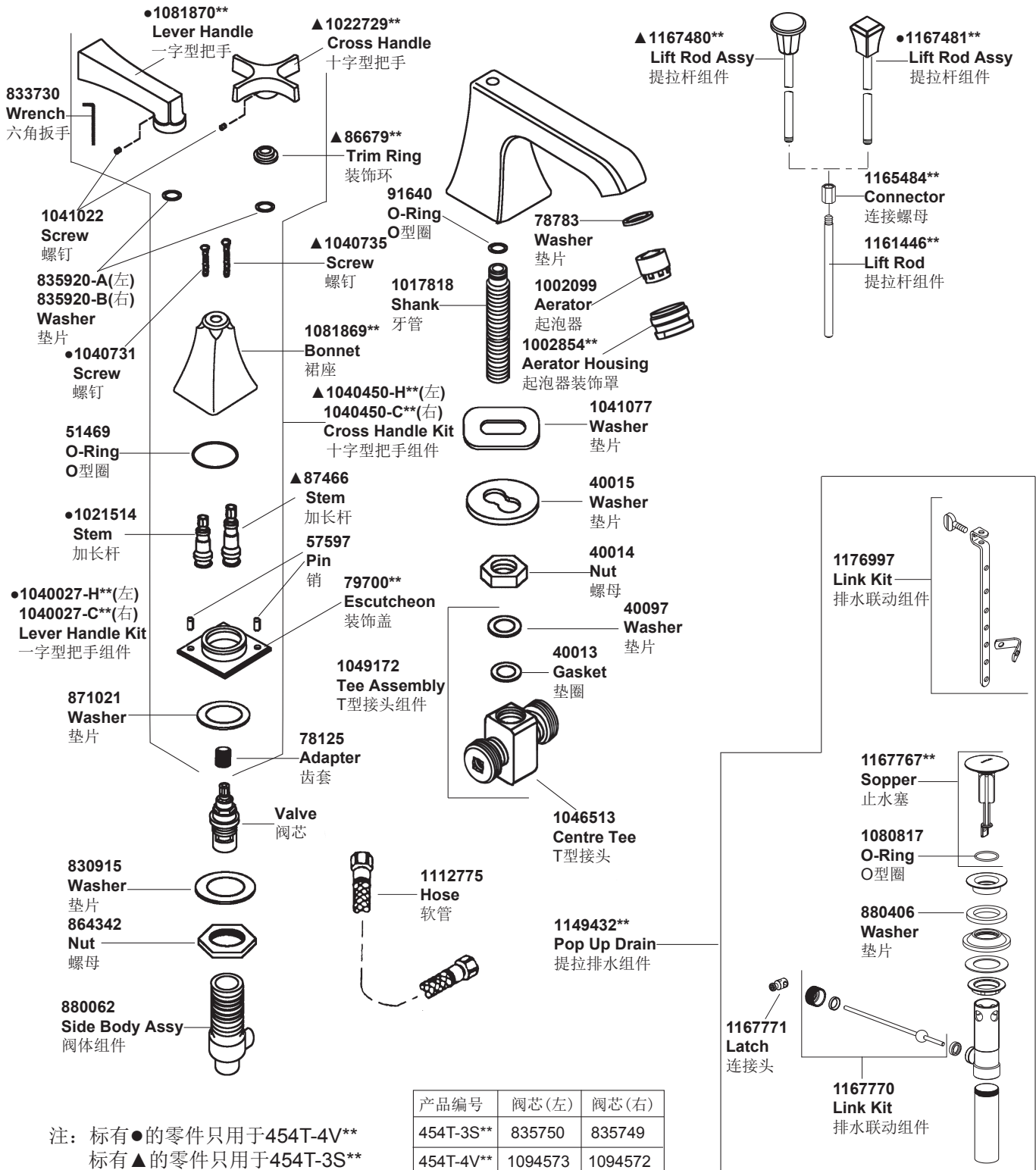
How To Install The Lift Rod Kit

Insert the lift rod assembly(30) into the top hole of spout. Select the connection of the drain and the lift rod according the dimension of lavatory.

Way 1: Select the latch(29)

Connect the lift rod(32) and the lift rod assembly(30) by the nut(31). Insert the ball lever rod(28) into the bigger hole(34) of the latch(29). Insert the lift rod into the other hole of latch. Position the lift rod so bottom of the lift rod knob rests against the faucet body. Push the ball lever rod down to the open position. Tighten the screw(33) on the latch.

454T 8" 脸盆龙头



注：标有●的零件只用于454T-4V**
 标有▲的零件只用于454T-3S**

产品编号	阀芯(左)	阀芯(右)
454T-3S**	835750	835749
454T-4V**	1094573	1094572

**订购时请说明颜色编号
 **Color code must be specified when ordering