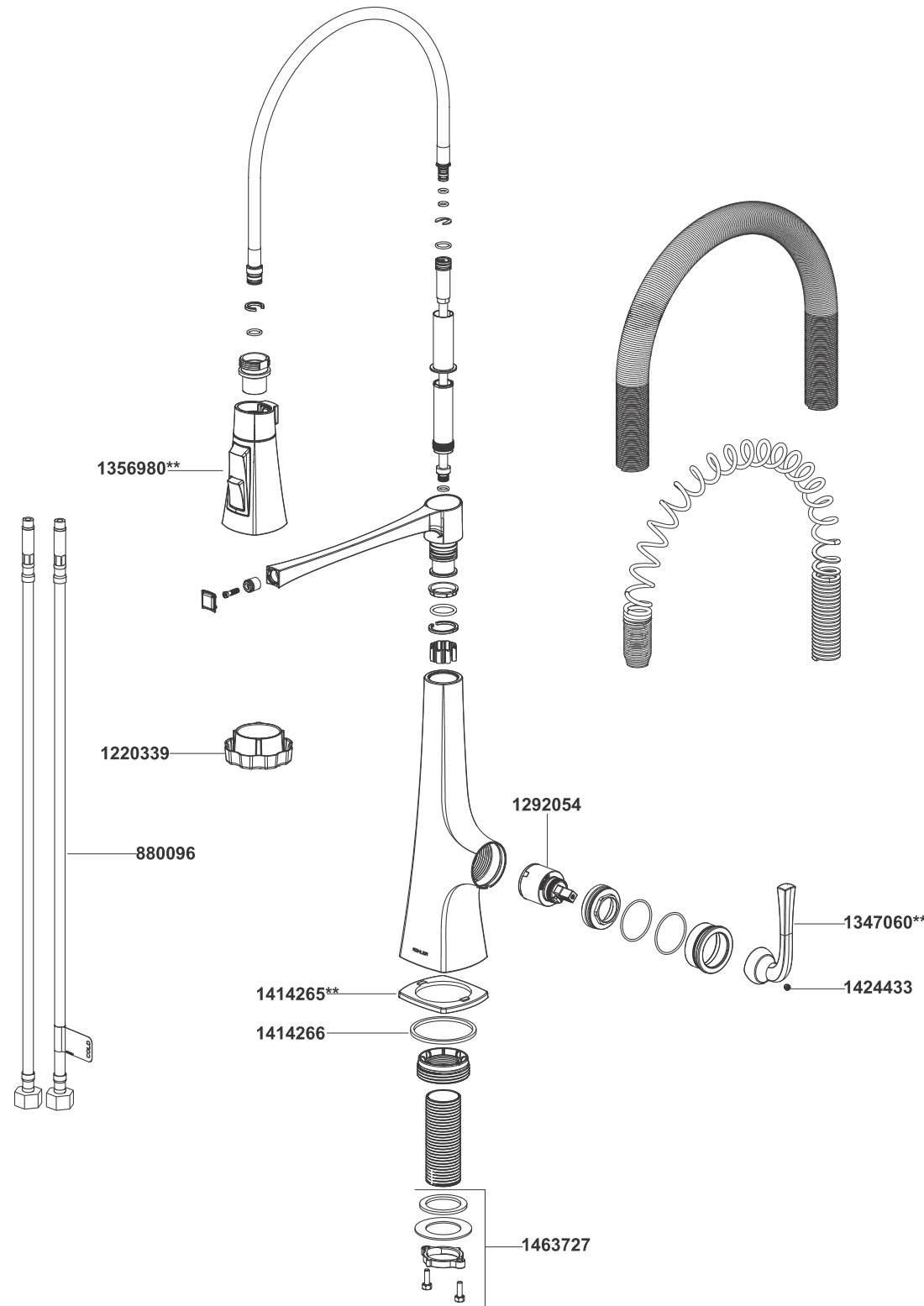


22061T-4 专业厨房龙头



\*\*订购时请说明颜色编号  
\*\*Color code must be specified when ordering

22061T-4 专业厨房龙头

**安装之前**

所有的资料是按最新出版的产品资料编写而成。科勒公司保留任何时候不经通知即可改变产品特性、包装或产品可供类型的权利。

说明书包括重要的安装、保养及清洁方面的内容，请把这些资料交给用户阅读。

**注意事项：**

1. 一定要先彻底冲洗供水管以清除管道中的杂质。
2. 如果是安装新的洗涤盆，可将龙头先装到洗涤盆上。
3. 花洒最高工作压力：0.5MPa(5bar)。水压超过0.5MPa(5bar)时必须安装减压阀。花洒最高工作温度及环境温度：60°C。请特别注意花洒同花洒连接的臂管须远离加热器，否则可能损坏花洒及其密封件，甚至对使用者造成伤害。

**BEFORE YOU BEGIN**

All information is based on the latest product information available at the time of publication. Kohler Co. reserves the right to make changes in product characteristics, packaging, or availability at any time without notice.

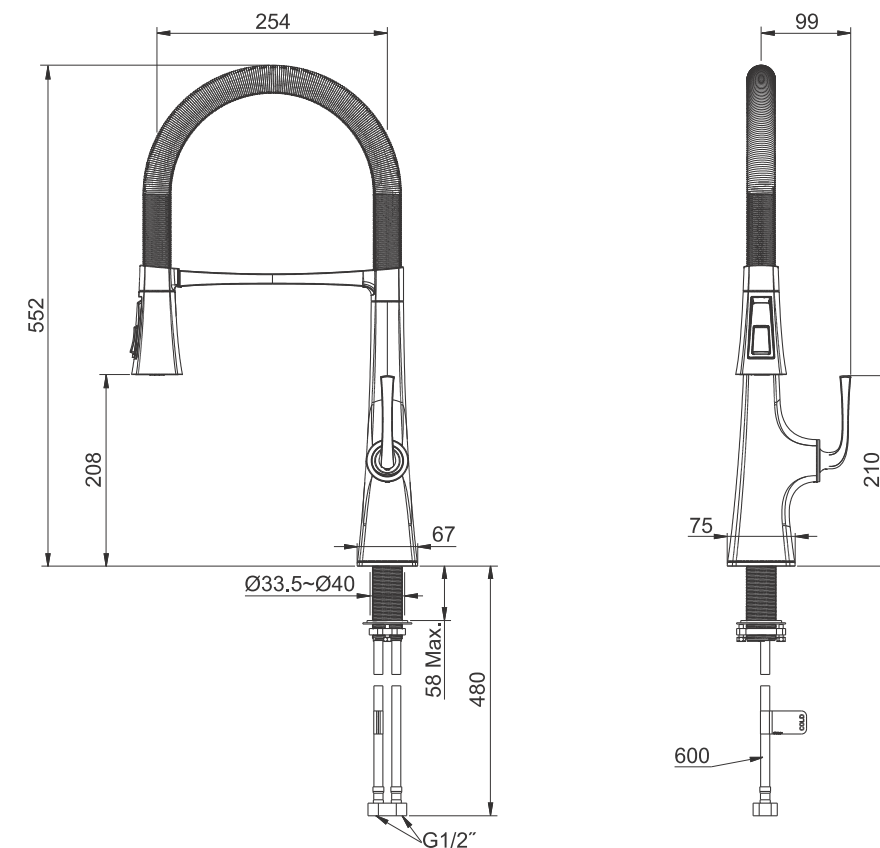
Please leave these instructions for the consumer. They contain important information.

**NOTES:**

1. Flush the water supply pipes thoroughly to remove debris.
2. For new installations, install the faucet to sink before installing.
3. The highest working pressure for sprayhead is 0.5MPa(5bar). If it exceeds 0.5MPa(5bar), a pressure reducer is needed. The highest water and environment temperature is 60°C. Please keep sprayhead away from heater, or it may become damaged and cause injury to the user.

**安装尺寸**

**ROUGH-IN DIMENSIONS**



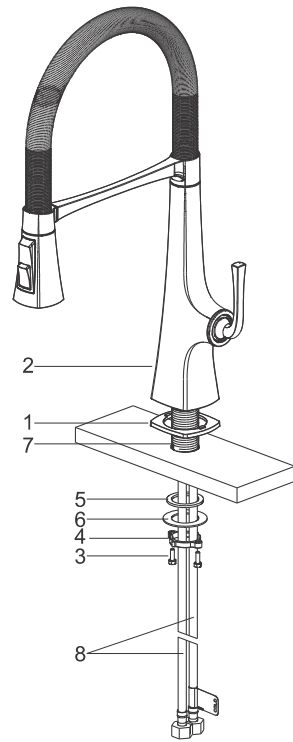
## 安装步骤

### 如何安装水龙头

将底座(1)安装在水龙头(2)本体底部，将水龙头组件插入厨盆安装孔中，使底座底部接触台面。

将两螺钉(3)旋入安装环(4)。从厨盆下方依次把垫片(5)、金属垫片(6)及装有两个螺钉的安装环装到牙管(7)上。调整水龙头位置，用十字螺丝刀将螺钉旋紧到安装环上，以固定水龙头。

将进水软管(8)接到水源上，贴有“COLD”标签的软管连接冷水，另一软管连接热水。



## INSTALLATION

### How to Install the Faucet

Slide the base(1) to the bottom of the faucet(1) body. Insert the faucet assembly into the mounting hole until the base bottom is against the deck.

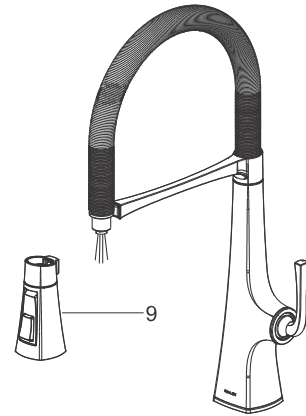
Partially thread two screws(3) into the threaded ring(4). From underside of the sink, place the washer(5), metal washer(6) and threaded ring with two screws over the shank(7). Position the faucet. Tighten two screws to secure the faucet to sink.

Attach the hoses(8) to water supplies. The hose with “COLD” label should be connected to cold water. Another hose should be connected to hot water.

## 安装结果检查

检查并确保所有衔接处都已拧紧，确保把手在关闭位置。打开主水源和排水系统，检查并修理有漏水的接口。

将花洒(9)拆下，打开把手，让水流约一分钟以清除杂质。关闭龙头，重新装回花洒。



## INSTALLATION CHECKOUT

Ensure that all coupling nuts are tight. Ensure that the handle is in the off position. Turn on the main water supply and drain, and check for leaks. Repair as needed.

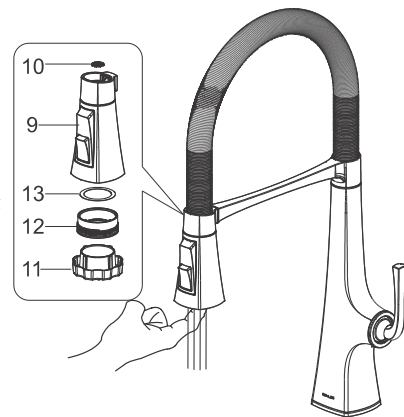
Remove the sprayhead(9). Run hot and cold water about one minute to remove any debris. Shut off the faucet. Reinstall the sprayhead.

## 维护与保养

打开龙头，揉搓花洒喷嘴以清除杂质。

当有杂质使水流变小时，关闭龙头，取下花洒(9)，取出里面的滤网垫片(10)并清洗；接着用扳手(11)卸下螺母(12)，取出垫片(13)并清洗。

清洗后重新装回即可。



## CARE AND MAINTENANCE

Turn on the faucet, rub the sprayhead nozzles to dislodge debris.

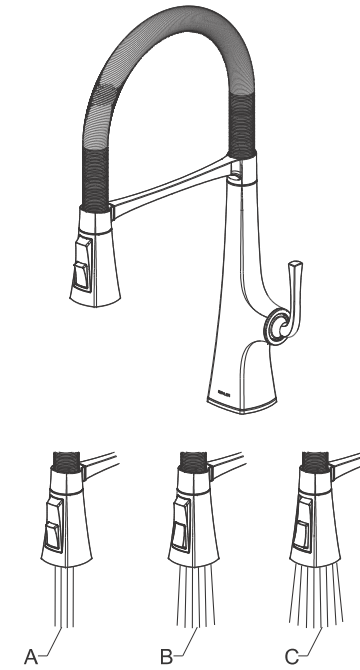
To improve the water flow, turn off the faucet. Disconnect the sprayhead(9). Remove and clean the washer(10). Uninstall the nut(12) with tool(11), and then take out and clean the washer(13).

Reinsert the washers and reconnect the sprayhead.

## 使用说明

轻轻打开把手，顺时针旋转为冷水，逆时针旋转为热水。

如图所示，按下不同按钮，可分别得到A、B、C三种水流。



## OPERATION INSTRUCTION

Turn on the handle gently. Turn clockwise for cold water, counter-clockwise for hot water.

Press different button for different water flow A, B, C as shown.

## 清洗说明

适用于所有加工处理过的表面：以中性肥皂水清洗镀层表面，再以干净的软布彻底擦干整个表面，许多清洁剂，比如氨水、去污粉及洁厕灵等，会对电镀表面造成伤害，切忌使用。

有磨损性的清洁用具或清洁剂也不可适用于科勒牌的水龙头及其配件上。

## CLEANING INSTRUCTIONS

All Finishes: Clean the finish with mild soap and warm water. Wipe entire surface completely dry with clean soft cloth. Many cleaners may contain chemicals, such as ammonia, chlorine, toilet cleaner etc. which could adversely affect the finish and are not recommended for cleaning.

Do not use abrasive cleaners or solvents on Kohler faucets and fittings.

龙头本体背面标有“LEAD FREE”字样，即产品符合美国AB1953法令的要求。

"LEAD FREE" is marked on the back of the faucet signifying its compliance with the United States AB1953.